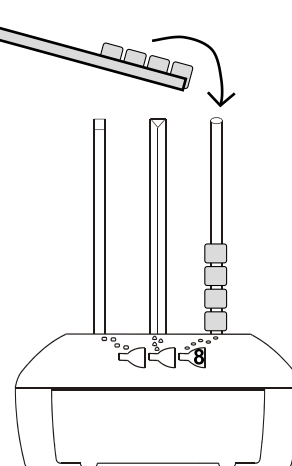
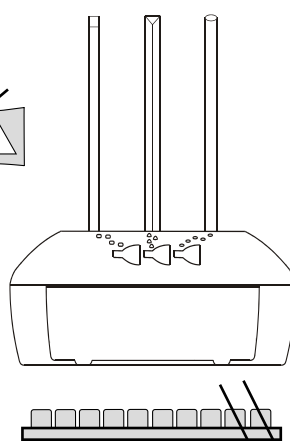
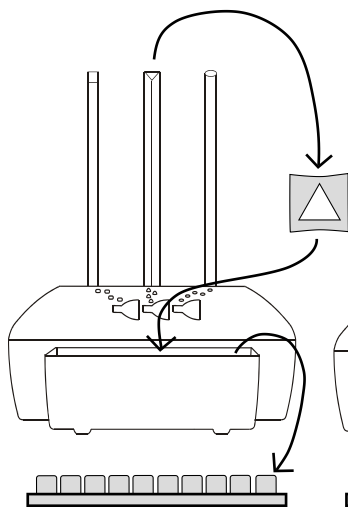
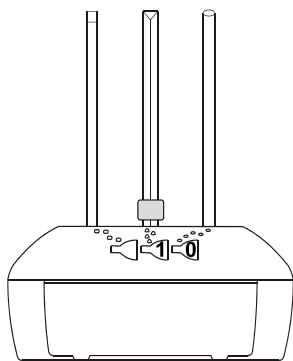


Addacus Subtraction

Use your addacus and silver ten strip to work out these answers:

$10 - 2 = \square$



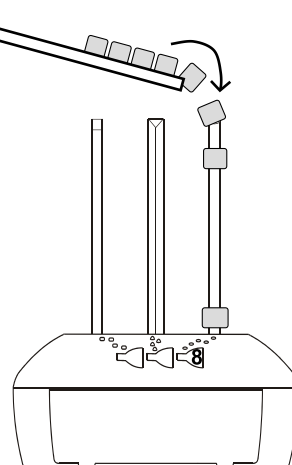
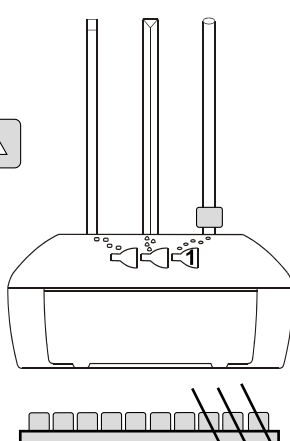
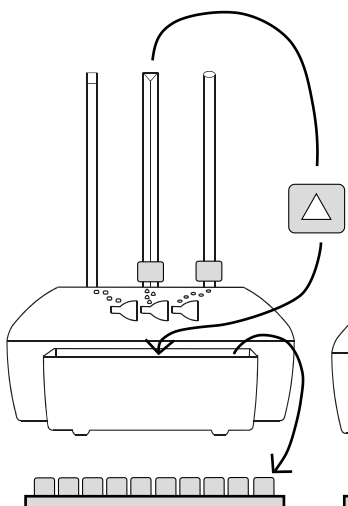
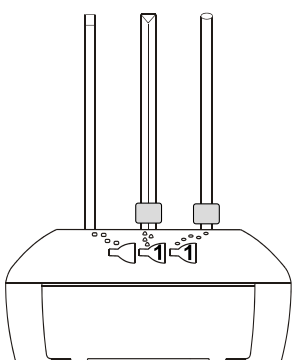
Can you take 2 from no units?

10 units

~~10 - 2~~

$10 - 2 = 8$

$11 - 3 = \square$



Can you take 3 from 1 unit?

10 units

~~10 - 3~~

$11 - 3 = 8$

Write the answers:

$10 - 7 = \square$

$11 - 6 = \square$

$10 - 9 = \square$

$11 - 2 = \square$

$10 - 5 = \square$

$10 - 3 = \square$

$11 - 4 = \square$

$11 - 8 = \square$

$11 - 7 = \square$

Fill in $>$, $<$ or $=$

$10 - 7 \square$

$11 - 2 \square$

$11 - 4 \square$

$10 - 3 \square$

$9 + 2 \square$

$6 + 4 \square$

